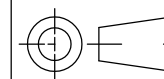


TITLE:

WMC-2500 SERVER SPOT-COOLER
DIMENSIONAL DRAWING

DIMENSIONS:

Inches
[mm]



MANUFACTURED BY:

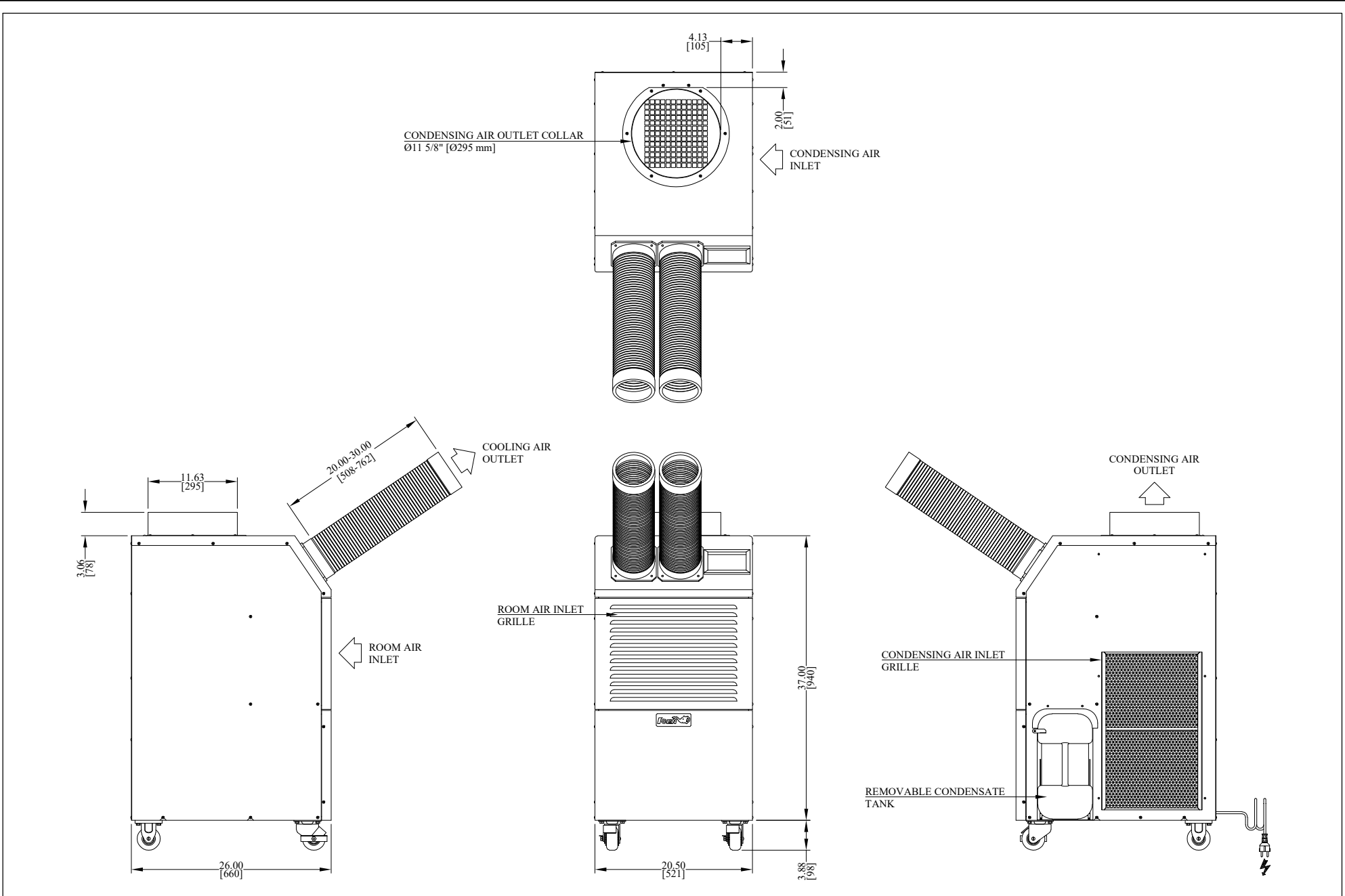
WELTEM

DRAWING NUMBER:

CAG-WMC2500-DI

REV:

A

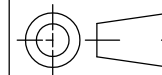


TITLE:

WPC-3000 PORTABLE SPOT-COOLER
DIMENSIONAL DRAWING

DIMENSIONS:

Inches
[mm]



MANUFACTURED BY:

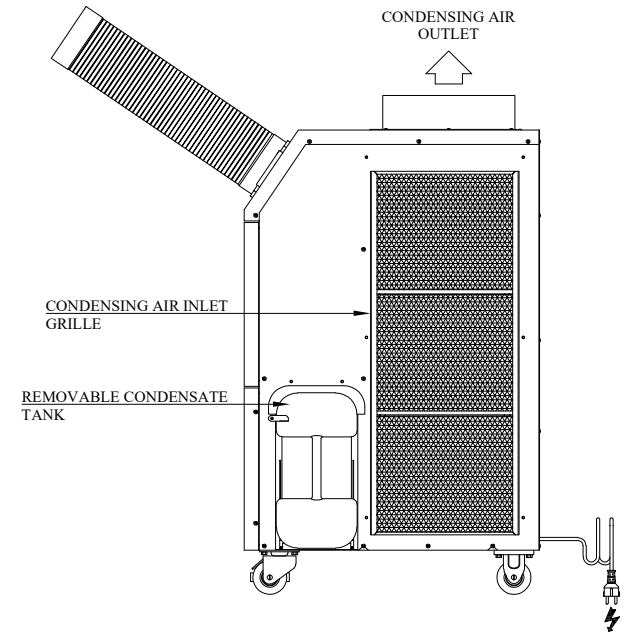
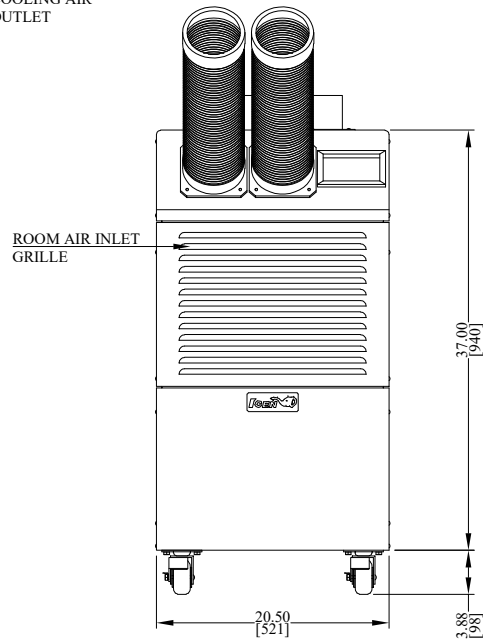
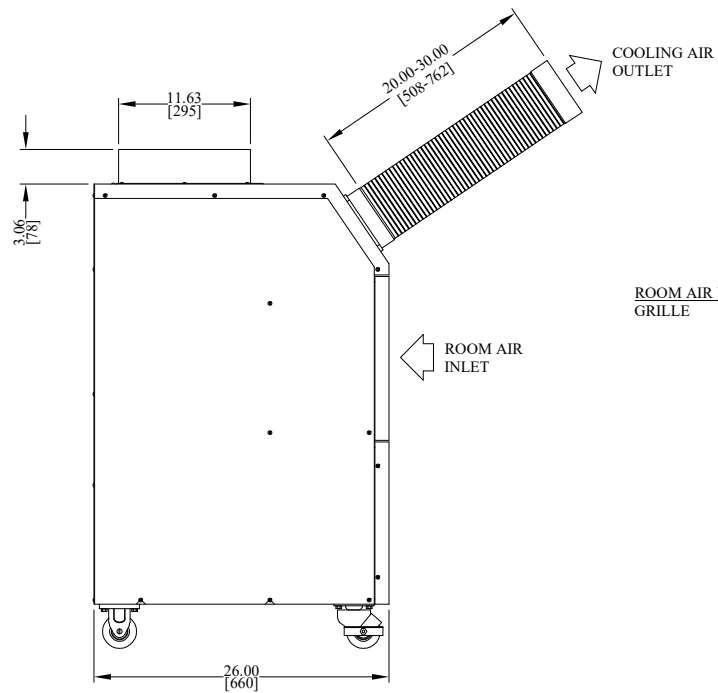
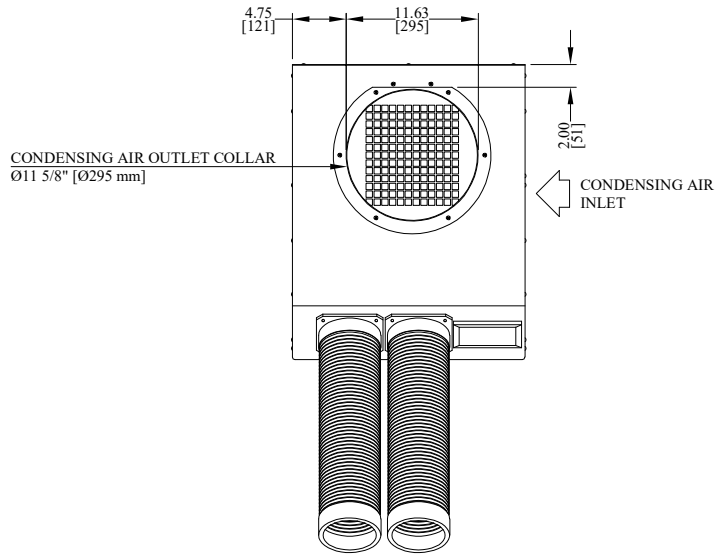
WELTEM

DRAWING NUMBER:

CAG-WPC3000-DI

REV:

A

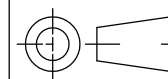


TITLE:

WPC4000-5000 PORTABLE SPOT-COOLER
DIMENSIONAL DRAWING

DIMENSIONS:

Inches
[mm]



MANUFACTURED BY:

WELTEM

DRAWING NUMBER:

CAG-WPC40005000-DI

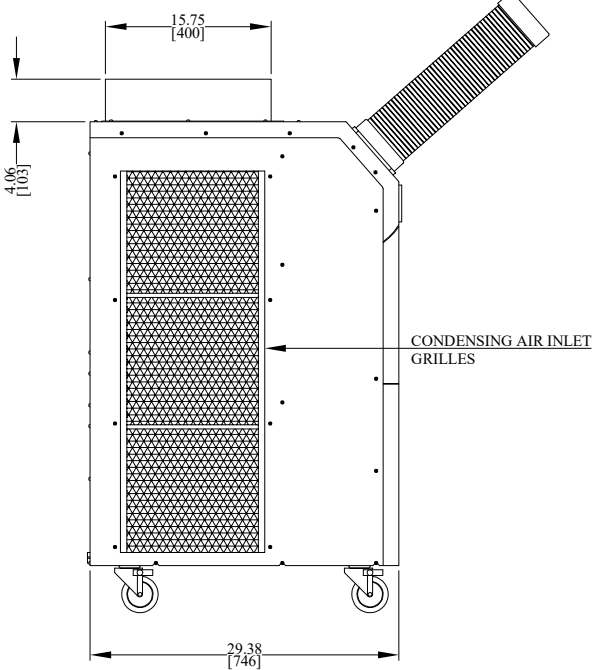
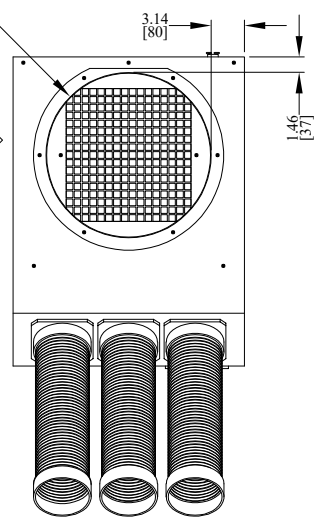
REV:

A

CONDENSER AIR OUTLET COLLAR
Ø15 3/4" [Ø400 mm]

CONDENSING AIR INLET

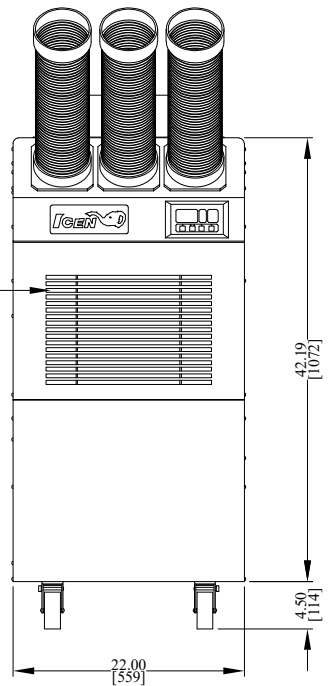
3.14 [80]
1.46 [37]



CONDENSING AIR INLET GRILLES

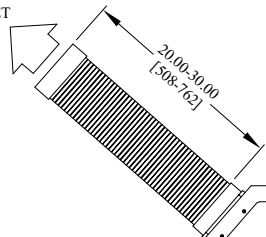
29.38 [746]

ROOM AIR INLET GRILLES



22.00 [559]

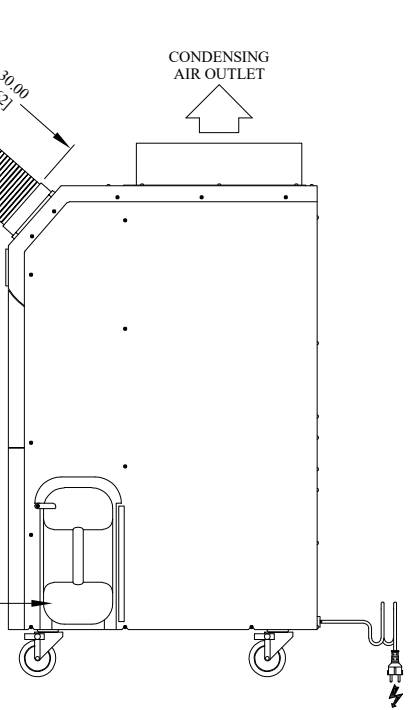
COOLING AIR OUTLET



CONDENSING AIR OUTLET

COOLING AIR INLET

REMOVABLE CONDENSATE TANK

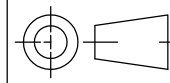


TITLE:

WPC-7000 PORTABLE SPOT-COOLER
DIMENSIONAL DRAWING

DIMENSIONS:

Inches
[mm]



MANUFACTURED BY:

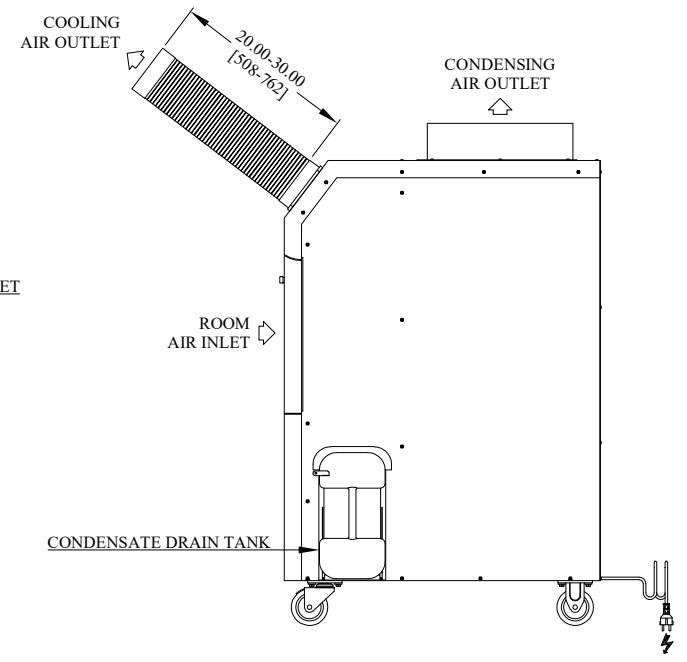
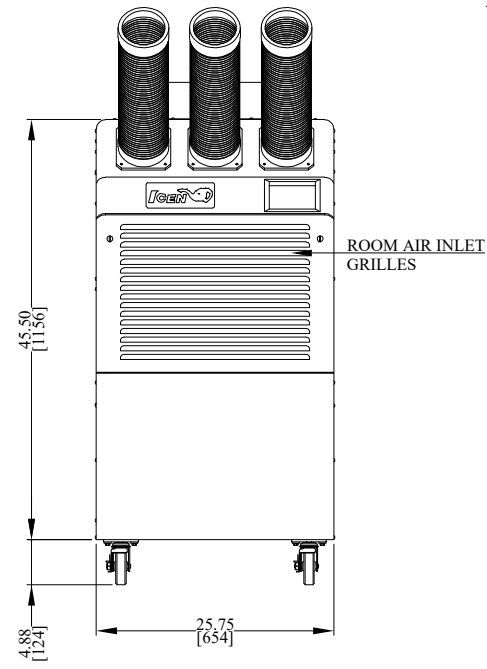
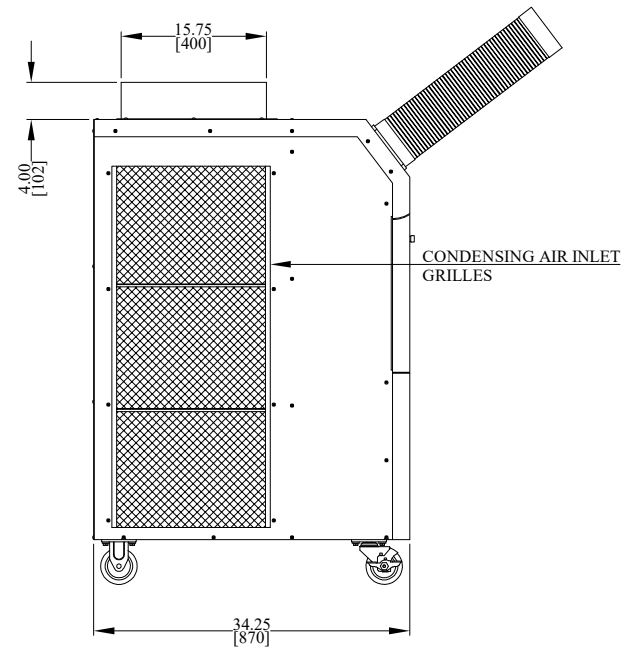
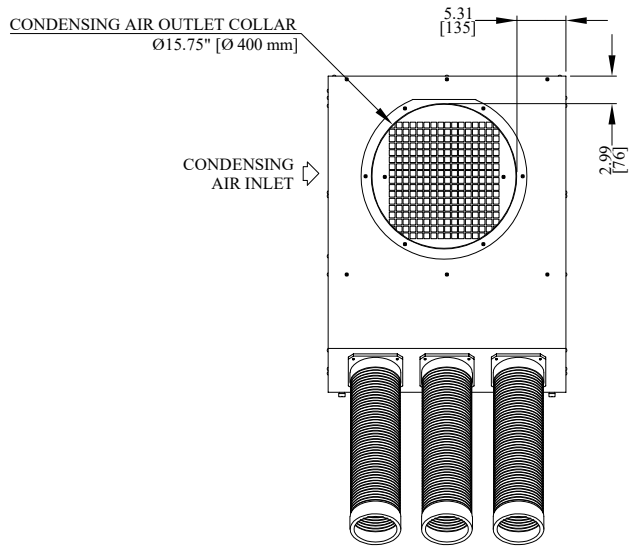
WELTEM

DRAWING NUMBER:

CAG-WPC7000-DI

REV:

A

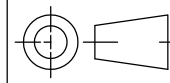


TITLE:

WPC-9000 PORTABLE SPOT-COOLER
DIMENSIONAL DRAWING

DIMENSIONS:

Inches
[mm]



MANUFACTURED BY:

WELTEM

DRAWING NUMBER:

CAG-WPC9000-DI

REV:

A



